



**Global small giant of Linear motion, SAMICK.  
We even think about your customers.**



For more information, please visit our YouTube channel  
SAMICK Linear Motion

• **SAMICK Linear Bushing**

High carbon bearing steel has been used to improve durability, load capacity and rigidity. This product is widely applied to precision instruments such as 3D measuring instruments, precision slides for presses, tool grinding machines, printing machines, packaging machines, and general industrial machines.

**Standard**



**Super**



**Flange**



**Aluminum Case Unit**



**Compact**



**Stainless Steel**



### • High rigidity, high-load linear motion products

Precision linear motion guide part designed for ultra rigidity, high accuracy and high load combined with needle based on super precision machining technology of polygon post and outer sleeve. It is used for guiding molds requiring high precision, high rigidity and high load, guides for vertical movement requiring high rigidity, industrial robots, and high speed sorting of ultra-small parts.

#### McGuide®

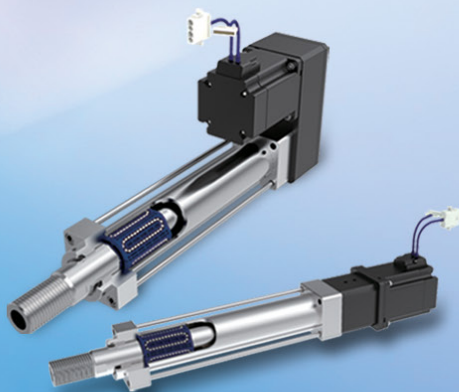


### • Actuator

Designed and manufactured to your specifications.

- Picker Actuator, which is a miniature pneumatic actuator developed for pick and place of compact and lightweight parts.
- Servo Cylinder developed to replace hydraulic cylinders.
- Mctuator®, a high-load, high-rigidity and high-precision actuator developed on the basis of Mcguide® technology.

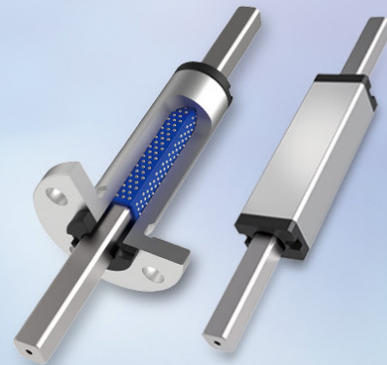
#### Servo Cylinder



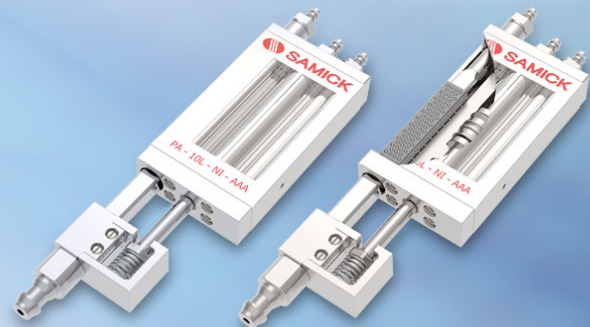
#### Guide Master®



#### PBG(Polygon Ball Guide)



#### Picker Actuator



#### Mctuator®

